

**Technical data:**

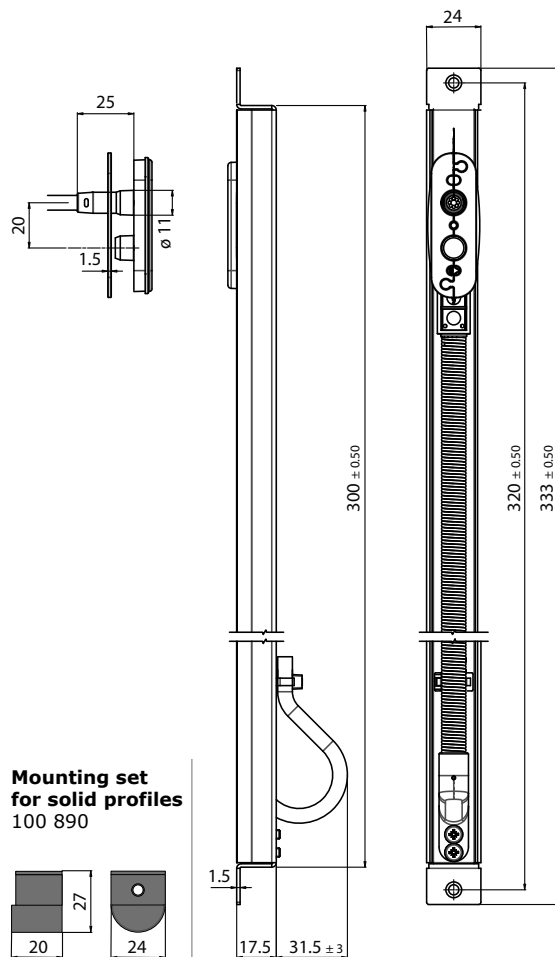
Electrical parameters: 2.5 A; 48 VDC  
 Cable: Li9Y11Y, 8 x 0.34 mm<sup>2</sup>, RoHS compliant  
 IP rating: IP40/connector IP67  
 Temperature: from -40 °C to +80 °C



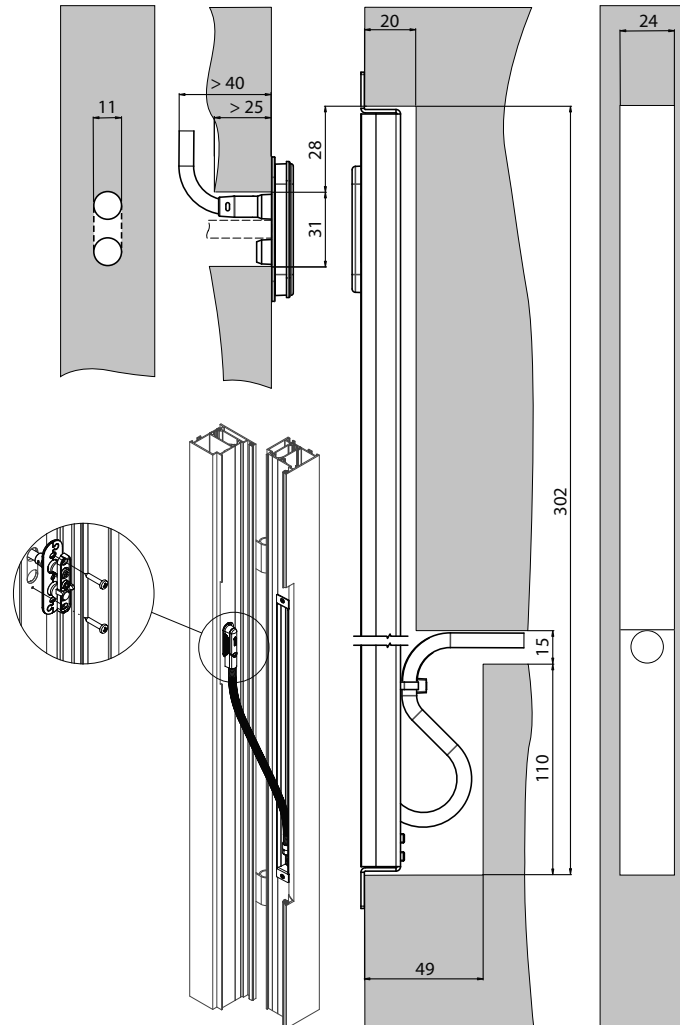
MONTAGEANLEITUNG  
 MOUNTING INSTRUCTIONS

ID283/596: Version 1, 2017-05-10  
<http://www.ekey.net/downloads>

**Dimensions**



**Milling dimensions for mounting into hollow profiles**



**Milling dimensions for mounting into solid profiles**

