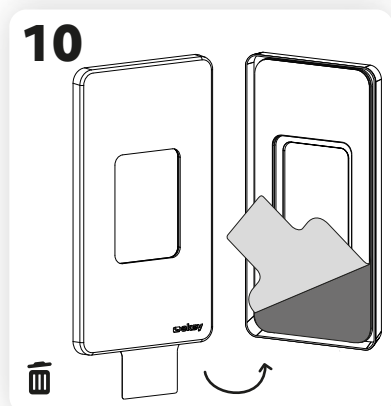
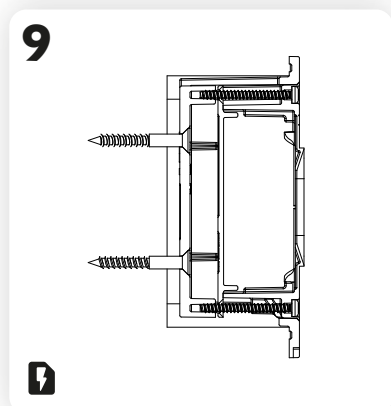
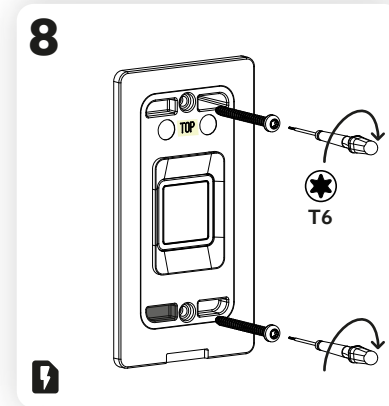
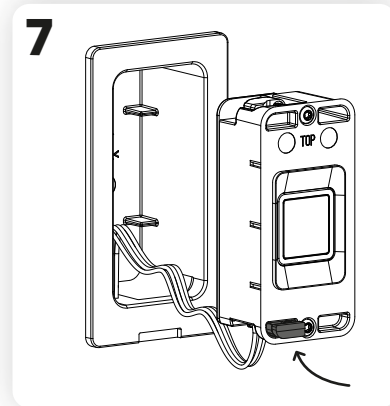
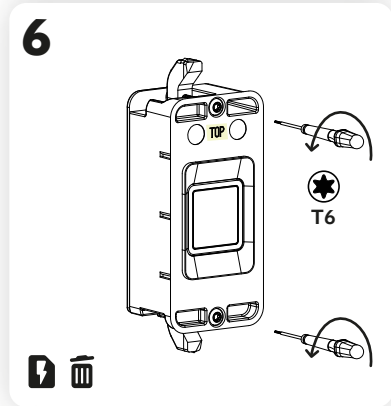
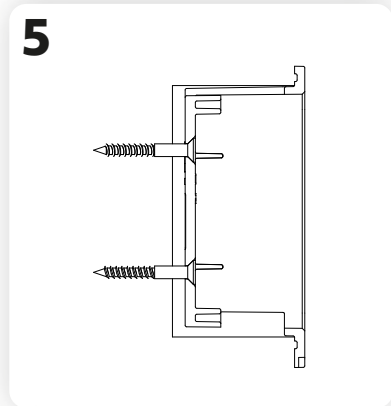
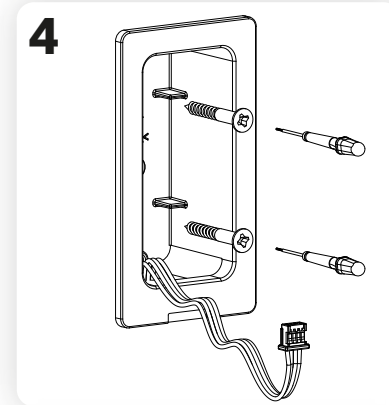
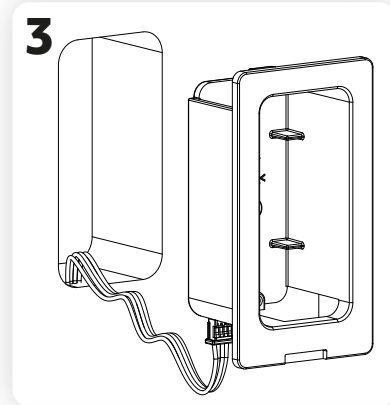
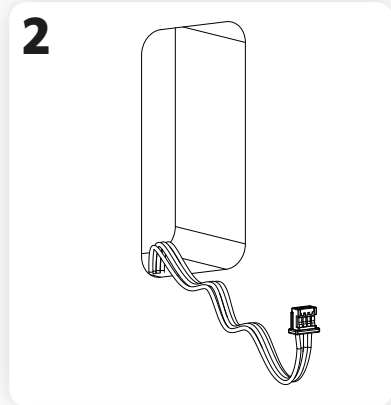


# Mounting instructions ekey dLine fingerprint (solid material)



ID374/764/0/726: Version 1, 2021-04-06



## ⚠ ATTENTION

**Property damage in the event of incorrect mounting and wiring:**  
The system devices are operated using electricity. They could be destroyed if they are mounted and wired incorrectly. Mount and wire the system devices correctly before connecting the power.

## 📄 NOTICE

These Mounting instructions are not subject to updating. We reserve the right to make technical modifications and change the product's appearance; any liability for errors and misprints is excluded.

